

RANGEHOOD & INSTALLATION GUIDE

Wall & Island

Revision V1.1

schweigen
HOME APPLIANCES

www.schweigen.com.au



Before using this guide, please check our website www.schweigen.com.au to ensure you have the latest version.

INDEX	2
1. WELCOME	4
2. YOUR SAFETY	5
Safety Advice	5
Before Installation.....	6
Product Use.....	7
Maintenance and Service	7
Electrical Cord	7
3. TIPS AND SUGGESTIONS	8
Condensation Information	8
For Users.....	10
For Installers.....	10
4. OPERATION	11
Electrical Tactile Keypad	11
Electrical Tactile Keypad	12
Electronic Touch Keypad	13
Electrical Tactile Keypad	14
Remote Control	15
Generating a New Transmission Code	16
Synchronisation of the Remote Control with the Rangehood.....	16
5. CLEANING AND MAINTENANCE	17
Surfaces	17
Filters.....	17
Cleaning the Interior	18
Cleaning the Exterior	19

Replacing the Sealed LED	20
Replacing the Fluorescent Tube (Max 21W, 240V)	20
Replacing the Halogen and LED Bulb (Max 20W, 12V)	20
6. INSTALLATION.....	21
Mounting Laws and Regulations	21
Wall Mount Installation Overview	22
Attaching the Computer Board (Certain models only)	23
Installing a Wall-mounted Rangehood	24
Installing a Wall-mounted Rangehood (With hanging devices)	25
Structural Preparation for the Island Rangehoods	26
Island Rangehood Installation	27
Installing the Telescopic Structure	28
Installing the Circular Island Structure.....	29
Installing the Glass Panel (Wall-mounted and Island Models)	30
Flexible Ducting for Isodrive Motor System	31
Reducer for Isodrive 650 motor only	31
Isodrive Motor System Overview.....	32
7. MAINTENANCE	33
Troubleshooting.....	33
Faulty Installation	34
8. TECHNICAL SPECIFICATIONS	35
9. DISCLAIMER.....	38
NOTES.....	39

1. WELCOME

Thank you for purchasing your new Schweigen rangehood.

To get the maximum output from this unit, please thoroughly read this guide before installation and use.

The guide contains important information on the use and maintenance of the unit, as well as important safety notes. This will ensure your personal safety and the lasting value of your rangehood.

We trust that you will enjoy your new Schweigen rangehood.

Please always retain your proof of purchase to aid in any warranty queries.

If you are unable to locate your warranty card, one is available to download from our website

www.schweigen.com.au.

This appliance and its packaging are produced by processes that minimise waste and respect the environment.

Please help us to continue this effort to protect the environment by using the appliance efficiently and dispose of any packaging in a responsible manner.

Model	
Purchase Date	
Purchase Location	

2. YOUR SAFETY



WARNING

Please read this section thoroughly before attempting to operate the appliance. Inspect your product upon receipt. Any damages or defects **MUST** be reported within **48** hours of purchase, or no claim will be recognised.

DO NOT INSTALL THIS APPLIANCE IF IT IS FOUND TO BE DAMAGED.

If this product is installed damaged, neither the supplier, nor the retailer, will be responsible for any costs associated with the repair, replacement, removal or re-installation of the appliance.

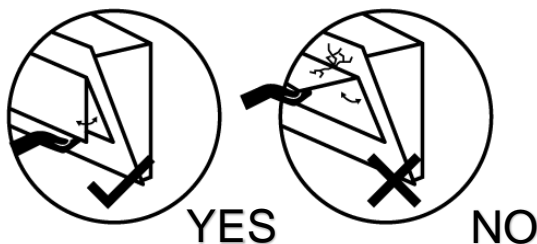
Safety Advice

1. There shall be adequate ventilation in the room when the rangehood is used at the same time as appliances burning gas or other fuels.
2. There is a fire risk if cleaning is not carried out in conjunction with the instructions.
3. Do not flambé under the rangehood. This will damage the rangehood and will not be covered by warranty.
4. Do not ignite burners that give off intense, uncontrolled flames beneath the rangehood.
5. Flames beneath the pan must be contained at all times and cannot exceed the width of the pan in use.
6. Do not leave any packaging material (bags, corner brackets etc.) within reach of children.
7. This appliance is not intended for use by person/s (including children) with reduced physical, sensory or mental capabilities, or lack of experience and/or knowledge. Unless, the person is given supervision or instruction concerning the safe usage of the appliance by person/s responsible for their safety. Children must be supervised to ensure that they do not play with the appliance, it is not a toy.
8. Air exhaust systems must be installed in accordance with local government laws.
9. Accessible parts may become hot when used with cooking appliances.
10. Before performing any cleaning or maintenance operation, disconnect the rangehood from the mains using the respective mains or sector switch or by unplugging it.
11. Do not use the rangehood without the grease filters.
12. Keep the grease filters clean and respect the recommended cleaning frequencies.
13. The rangehood motor must be switched on before commencing cooking.
14. Turn the rangehood motor off about 10-15 minutes after you finish cooking.
15. It is forbidden to use the rangehood as an aspirator.
16. Never cook foodstuff directly over the flame or have the gas burners on under the rangehood without using cookware.

2. YOUR SAFETY

Before Installation

1. We recommend this appliance be installed or repaired by a qualified Schweigen Home Appliances technician.
2. Please see our website www.schweigen.com.au for a list of our recommended installers.
3. It is dangerous to modify any part of this appliance. Modification of any kind, will immediately void the warranty.
4. The manufacturer declines all responsibility in case of failure to adopt proper safety measures.
5. Ensure that the location in which this appliance is installed, has good and permanent ventilation.
6. Please consult local laws and regulations and install in accordance.
7. Please use an earthed electrical connector that coincides with relevant local laws and regulations.
8. Check that the power voltage in your area corresponds to the appliance voltage indicated on the rating label.
9. This appliance must be connected to an electrical supply that has a **grounded connection**.
10. Check that the installation and electrical connections are carried out by a qualified technician and that the indicated instructions and local regulations in force are met, using materials that are compliant with the applicable legislation.
11. The company will not be responsible for installations executed by non-qualified staff and installations that fail to heed the applicable legislation on electrical safety (with regard to both modes and materials).
12. The electrical technical data can be found inside the rangehood, after removing the grease filters.
13. The flexible power cable supplied is already connected internally and emerges from the rangehood near the air outlet tube.
14. **Before installing the electrical connections, you should:**
 - Verify that the indicated electrical data coincides with the voltage values and frequency of the electrical circuit in the house where the rangehood is to be installed;
 - Check that the premises has electrical protection against short circuits and electrocution, pursuant to the applicable legislation;
 - Always switch off the current using the double-pole switch before maintenance and turn the power on again for normal use only when the operation has been completed.
15. **Pay attention to the opening of the door.** Do not force the door open.



2. YOUR SAFETY

Product Use

This product is designed for household use and should not be used for commercial applications.

After use, always ensure that all controls are in the “OFF” position.

When frying with a gas flame, take particular care not to allow the oil or grease in the pan to catch fire. (Flambé)

Maintenance and Service

The rangehood surface should be cleaned with soft cloth and non-corrosive detergent. Do not leave the rangehood wet after cleaning or use, please keep rangehood dry.

Important: Never attempt to repair this appliance by yourself. Always refer to a qualified Service Technician.

Always switch off the electricity and unplug the connection before conducting maintenance or cleaning.

Electrical Cord

Ensure the supply cord is not exposed to heat, chemicals or sharp objects. If the supply cord is damaged, it must be replaced by the manufacturer, service agent or a similarly qualified person in order to avoid a hazard.

3. TIPS AND SUGGESTIONS

Condensation Information

The induction cooktop is designed to provide rapid heating, improved thermal efficiency and greater heat consistency. For some customers with an induction cooktop, condensation can form on their rangehood filters while using their cooktop.

The induction cooktops' heat source is contained in the conductive base of the pot. When compared with a gas, electric or wok burner, the heat is not isolated or contained to one area and therefore gradually rises up on all sides of the pot or frypan. This combination allows the rangehood filters to warm up slowly and eliminate the formation of condensation. For induction cooktops, the immediate and contained heat source can produce vapours rapidly. This prevents the filters from gradually warming up and increases the chance of condensation forming.

There are many variables that can contribute to the condensation problem associated with induction cooktops and rangehoods. Some of these variables include, but are not limited to:

- The Country or State you live in (example, WA versus VIC, and the variables in daily temperatures)
- The position of your home and kitchen (morning/afternoon sun)
- The quality of pots and cookware you are using
- Height of rangehood
- Rapid heating
- Ducting angle
- Filter size

If induction rings, vitro-ceramic hobs and the like are not used correctly, they can lead to problems with the condensation of liquids due to temperature differences. After some time in use, these condensed liquids can build up and possibly appear on the metal filters or the bottom of the rangehood.

For advice to avoid condensation, please refer to next page.

3. TIPS AND SUGGESTIONS

User advice to avoid condensation in the rangehood:

- The rangehood should be switched on approx. 10 minutes prior to cooking and the delay shut down timer set after cooking has stopped in order to clear the fumes held in the flue. These steps will help clear the flue out fully.
- Do not cook at full power straight away, i.e. start on low or medium power for a while so that the steel in the rangehood can warm up.
- Filters must be kept clean. For induction cooktop users, aim to clean filters at least every 10 days, and replace the filters if their condition begins to deteriorate.
- There must be a constant flow of air into the cooking area to avoid the creation of a depression which can affect the rate of aspiration.
- Follow the advice from the instructions for induction systems with regards to the condensation effect.
- Suggested height for induction cooktop is approx. 750mm above the cooking surface.

Each person's circumstances are different, but the vast majority of induction cooktop owners have had no problems with condensation. However, it is important to understand that:

Neither the rangehood nor the induction cooktop are faulty. That in some circumstances, the combination of the rangehood, the induction cooktop and the many variables within your home, can lead to condensation forming on your rangehood filters. With a gas or standard electric cooktop, you should not have any condensation.

3. TIPS AND SUGGESTIONS

The Rangehood has one mode of operation:

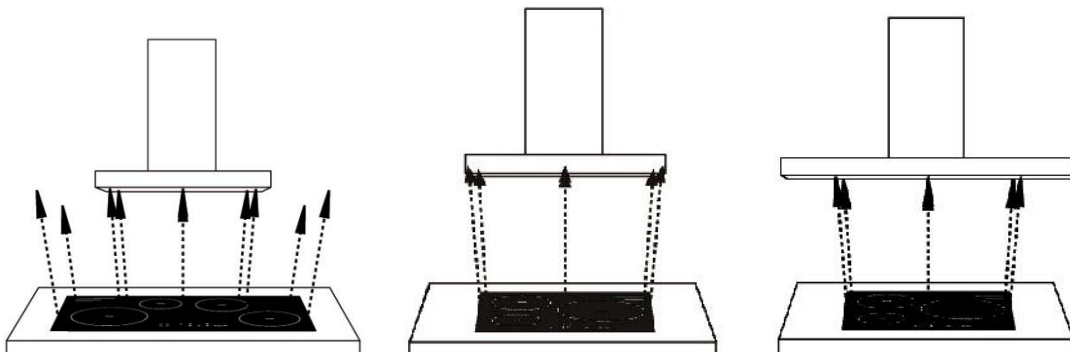
Air extraction: The air is drawn in and cleaned by the grease filters and directed outside. Please check the cleaning and maintenance section for the filters' cleaning periods.

For Users

1. Do not leave the frying pan or fryer unattended, as the oil could overheat and catch on fire.
2. Never flambé any foods beneath the rangehood. The unprotected flames could cause a fire.
3. Before carrying out any operations inside the rangehood, unplug the appliance from the electrical mains.
4. Respect the cleaning frequencies and intervals for changing the filters, as otherwise the accumulated grease could cause a fire or damage to the appliance.
5. Changes made to the steel surface will render the warranty invalid.

For Installers

1. In addition to the size, the height of the rangehood above the cooktop is important to obtain the best performance.
2. For recommended height, please refer to Mounting Laws and Regulations.



Rangehood smaller than
cooking zone
INADEQUATE

Rangehood same size as
cooking zone
ADEQUATE

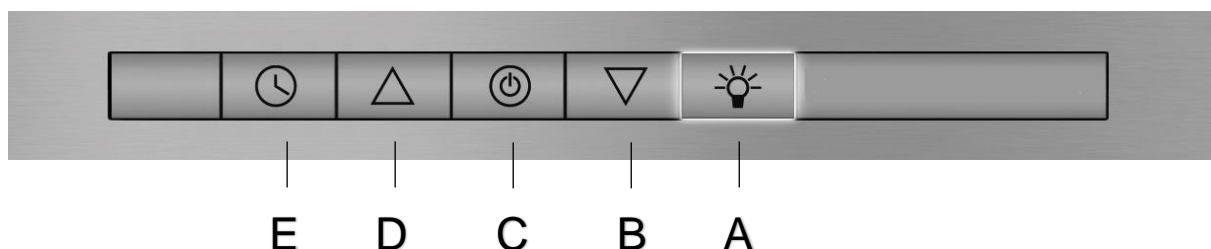
Rangehood larger than
cooking zone
OPTIMAL

4. OPERATION

Schweigen silent rangehoods are recognised for their silent operation. Although this holds true for all of our rangehoods with external motors, one must note that the rangehoods are silent when they are used for regular cooking on the lower fan setting. Therefore, you will only hear the movement of air.

Electrical Tactile Keypad

To obtain the best performance, switch the rangehood on a few minutes prior to cooking and leave it running for at least 10 minutes after you have finished cooking.



The rangehood has a 4-speed electronic keypad. The buttons have the following functions:

A.- Light switch: Press this switch to turn the lights on and off. When it is operating, the light is blue.

B.- Low-speed button: This button reduces the aspiration speed. When it is operating, the light is blue.

C.- ON / OFF button: This button turns the rangehood on and off. The rangehood will always turn on at the same speed at which it was turned off at the last time of use.

D.- High-speed button: This button increases the aspiration speed. When it is operating, the light is blue. When at maximum speed, the blue light will flash.

E.- Timer: When this function is activated, the blue light will flash on the timer button. The rangehood continues to operate for a few minutes at the required speed and then automatically switches off.

This rangehood has a device that lets you know when the grease filters must be changed.

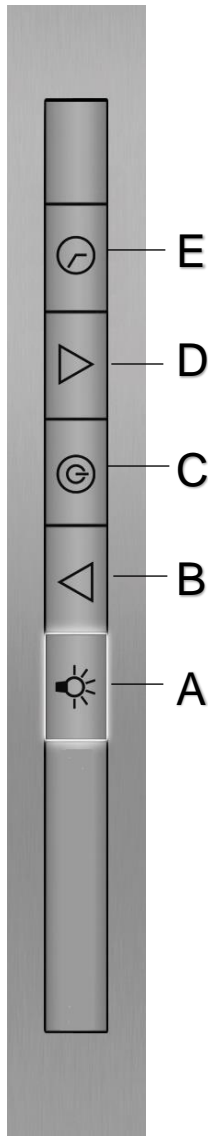
When the lamp on button "E" flashes, this means the filters must be washed (usually every 40 hours of operation).

When the filters have been washed and re-mounted, hold the "E" button down for a few seconds to reset it and return the counter down to zero.

4. OPERATION

Electrical Tactile Keypad

To obtain the best performance, switch the rangehood on a few minutes prior to cooking and leave it running for at least 10 minutes after you have finished cooking.



The rangehood has a 4-speed electronic keypad. The buttons have the following functions:

A.- Light switch: Press this switch to turn the lights on and off. When it is operating, the light is blue.

B.- Low-speed button: This button reduces the aspiration speed. When it is operating, the light is blue.

C.- ON / OFF button: This button turns the rangehood on and off. The rangehood will always turn on at the same speed at which was turned off at the last time of use.

D.- High-speed button: This button increases the aspiration speed. When it is operating, the light is blue. When at maximum speed, the blue light will flash.

E.- Timer: When it is operating, the lamp will be lit. When this function is activated, the rangehood continues to operate for a few minutes at the required speed and then automatically switches off.

This rangehood has a device that lets you know when the grease filters must be changed.

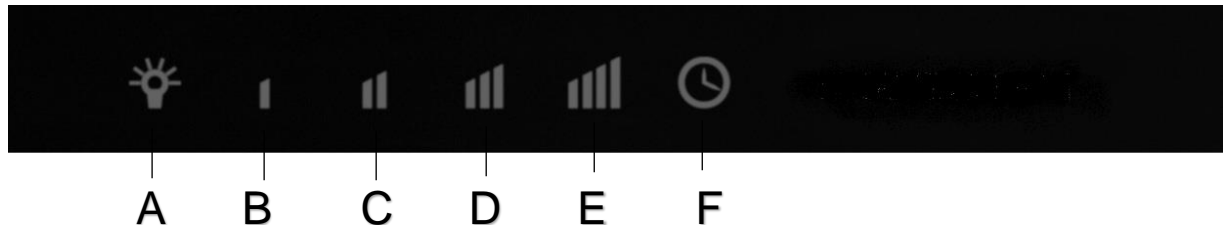
When the lamp on button "E" flashes, this means the filters must be washed (usually every 40 hours of operation).

When the filters have been washed and re-mounted, hold the "E" button down for a few seconds to reset it and return the counter down to zero.

4. OPERATION

Electronic Touch Keypad

To obtain the best performance, switch the rangehood on a few minutes prior to cooking and leave it running for at least 10 minutes after you have finished cooking.



The rangehood has a 4-speed touch keypad. The buttons have the following functions:

A.- Light switch: Press this switch to turn the lights on and off.

B.- ON / OFF / button – speed one: This button turns the rangehood on and off. The rangehood starts to operate at speed one.

C. D. E.- Speeds 2, 3 and 4.

F.- Timer: When the rangehood is in operation, the light will remain on. When this button is pressed, the rangehood will continue to operate for a few minutes at the required speed and will then switch off automatically.

This rangehood has a device that lets you know when the grease filters must be changed. When the lamp on button "F" flashes, this means the filters must be washed (usually every 40 hours of operation).

When the filters have been washed and re-mounted, hold the "F" button down for a few seconds to reset it and return the counter down to zero.

4. OPERATION

Electrical Tactile Keypad

To obtain the best performance, switch the rangehood on a few minutes prior to cooking and leave it running for at least 10 minutes after you have finished cooking.



The rangehood has a 4-speed electronic keypad. The buttons have the following functions:

A.- Timer increase warning button: Press this button to increase the time programmed in the TIMER (warning alarm). The time indicated will be shown on display C.

B.- Timer reduction warning button: Press this button to reduce the time programmed in the TIMER (warning alarm). The time indicated will be shown on display C.

C.- Display: The display shows the remaining time programmed with buttons A and B and also indicates the existing ambient temperature, when D is pressed.

D.- Ambient temperature button: When this button is pressed for 5 sec. display C indicates the ambient temperature.

E.- Light: Press this switch to turn the lights on and off.

F.- Last time (deferred stoppage): When this function is activated, the rangehood continues to operate for a few minutes at the required speed and then automatically switches off (within approx. 10 min.).

G.- Filter cleaning required- This rangehood is fitted with a device which will light up to alert you when the grease filters must be cleaned (Usually every 40 hours of operation).

When the filters have been washed and re-mounted, hold the "G" button down for a few seconds to reset it and return the counter down to zero.

H.- Display: This display indicates the aspiration speed programmed with buttons I and J.

I.- High - speed and on button: Press this button to start the cooker rangehood and increase the speed.

J.- Low - speed and off button: Press this button to reduce the speed and turn the rangehood off.

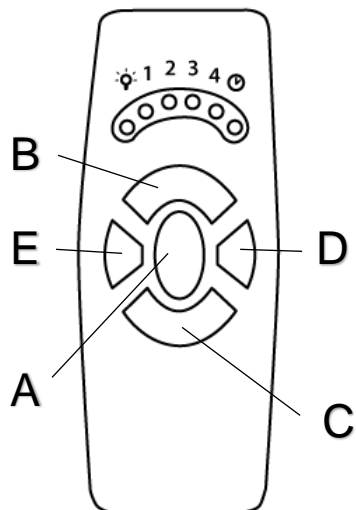
4. OPERATION

Remote Control

Starting the rangehood for the first time using the remote control:

Put the safety switch ON (this switch is inside the rangehood). Wait about 5 seconds for the circuit to test the memory.

To obtain the best performance, turn on the rangehood a few minutes prior to cooking and leave it on for at least 10-15 minutes after you have finished cooking.



The rangehood has a 4-speed remote control device. The buttons have the following functions (valid for all rangehood models with remotes):

A.- ON / OFF button: This button turns the rangehood on and off. The rangehood will always be turned on at minimum speed.

B.- High-speed button: This button increases the aspiration speed.

C.- Low-speed button: This button decreases the aspiration speed.

NOTE: When increasing and decreasing the speed of aspiration always wait for 2 seconds after you have changed the speed to do so again.

D.- + button: Activates the deferred stop function (after 10 minutes the rangehood will automatically stop).

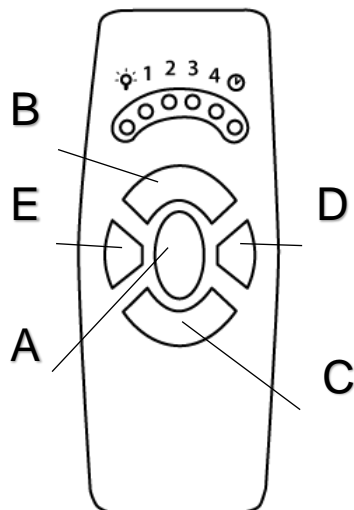
E.- button - : Turns the rangehood lighting on or off.

If the remote control fails or the batteries run out, disconnect the rangehood using the safety switch inside the rangehood (which can be accessed from one of the filters) and replace the batteries.

4. OPERATION

Generating a New Transmission Code

1. Press and simultaneously hold buttons A, B and C until all lights on the remote control flicker at the same time.
2. After all lights light up, press the B and C buttons and the lights will flash 3 times to indicate that the process has been completed.



Synchronisation of the Remote Control with the Rangehood

1. Switch OFF the circuit breaker.
2. Switch ON the circuit breaker.
3. Within the first 20 seconds of switching the circuit breaker back ON, please direct the remote control to the rangehood and hold the light or "E" button, until the rangehood lights switch on.

If the remote control fails or the batteries run out, disconnect the rangehood using the safety switch inside the rangehood (which can be accessed from one of the filters) and replace the batteries.

5. CLEANING AND MAINTENANCE



WARNING

Always switch off and disconnect power before cleaning.

Surfaces

Wash with warm soapy water and a soft sponge. Never use abrasive detergent, scouring pads, steel wool or solvents on any part of this appliance, Always make sure to dry the appliance after cleaning and never leave wet, as this will cause irreparable damage.

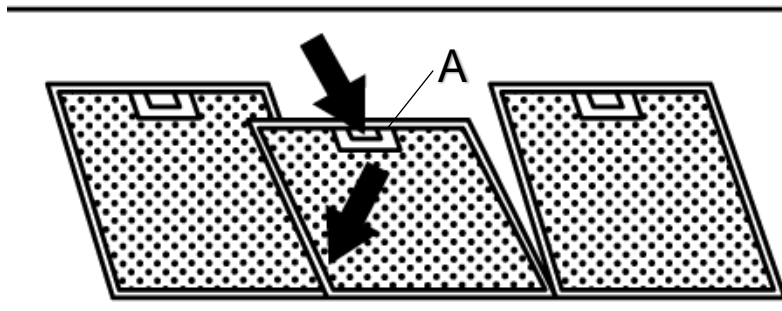
Filters

- For this appliance to function effectively, regular maintenance is a must.
- The function of the filter is to absorb the grease particles emitted during cooking.
- Blocked filters and heavy oil deposits restrict airflow and may cause the motor to overheat and become a fire hazard.
- Filters should be cleaned every 3-6 weeks or after 40 hours of use.
- Disconnect the electrical connection before any maintenance or cleaning processes are carried out.
- To remove the filter press handle A and remove it through the front guide; bend it slightly and remove filter. To replace, perform the same operation but in reverse.
- In ceiling-mounted rangehoods, the doors or glass must be opened before accessing the filters.
- For an induction cooktop, please aim to clean them at least every 10 days, depending on use.
- The filters can be washed by hand or in the dishwasher

Washing by hand - Immerse the filter in hot water and a suitable detergent and when clean, rinse with plenty of hot water.

Dishwasher - Put the filter in the dishwasher and select a short program at low temperature.

NOTE: The colour of the metal mesh filters may change after several washes. This is normal and it is not necessary to change the filters.



5. CLEANING AND MAINTENANCE



WARNING

- If the grease filters are very dirty, the motor will extract only a small quantity of air, which reduces its efficiency;
- The grease deposits that build up on the filter are highly flammable and **COULD EASILY CATCH FIRE.**
- The manufacturer is exonerated from all responsibility in the event of fire due to poor maintenance of the grease filters.

Cleaning the Interior


Clean the interior of the rangehood with a damp cloth and a neutral detergent or denatured alcohol.

NOTE: Do not use denatured alcohol on the exterior of the rangehood. Do not clean the electric parts or the motor with liquids or solvents.

5. CLEANING AND MAINTENANCE

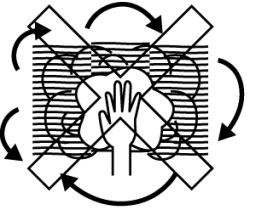
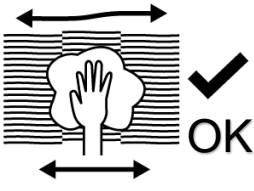
Cleaning the Exterior

We recommend using a soft cloth, warm water and liquid soap to clean the exterior. Rinse with clean water and ensure that the appliance is completely dry after cleaning. Rinse with clean water and ensure that the appliance is completely dry after cleaning. For better results, you can use high quality cleaning and protection products (eg. Steel Kleen) to clean your rangehood.



WARNING

- Make sure that the electrical power is off.
- The recommended detergent is a solution of water and a neutral liquid soap.
- It is very important for the liquid soap to not contain granules that could scratch the surface.
- First apply the solution to a soft cloth and then rub the cloth over the rangehood. It is important to follow the direction of the stained surface with the cloth (refer to figure on left).
- Do not pour any liquid directly on to the rangehood.
- The cloth must have no buttons, zips or fasteners that could scratch the surface.
- It is strictly forbidden to use chemical solvents, aggressive, grainy or abrasive products, naphtha, alcohol or similar products that could damage the surface of the rangehood.
- The manufacturer will not be held responsible for functional or aesthetic damage caused by cleaning with products which are not suitable or using inadequate cleaning methods.



5. CLEANING AND MAINTENANCE



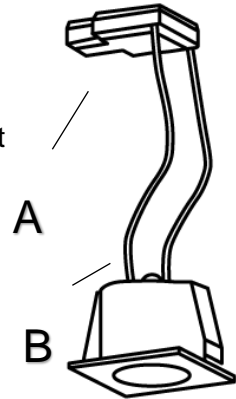
DANGER

Always switch off and disconnect the power cord before replacing any light bulbs. Failure to do so may cause serious injury. Please be aware that the light bulb will retain heat for a short period of time after being switched off.

Replacing the Sealed LED

The life span of an LED bulb is at least 10 times that of a halogen bulb. If it needs to be replaced, proceed as follows:

1. Unplug the respective connector (A).
2. Press the tabs (B) inside the rangehood.
3. Remove the LED.
4. Put in the new LED and reinstall as explained above but in reverse order.

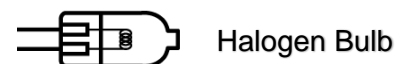
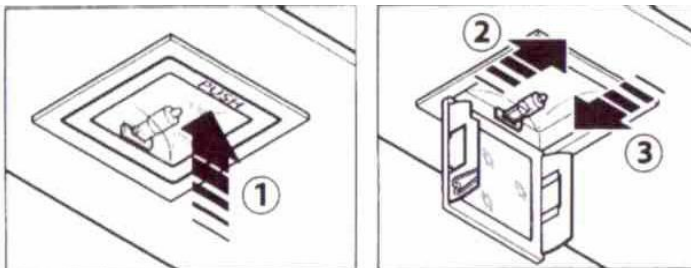


Replacing the Fluorescent Tube (Max 21W, 240V)

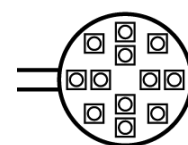
1. Remove the filters and the compensated aspiration plate by taking out the 6 screws.
2. Remove the top section by removing the 4 screws at the front and loosening the 3 inner screws.
3. Remove the fluorescent tube.
4. Insert the new tube and reinstall as explained above but in reverse order.

Replacing the Halogen and LED Bulb (Max 20W, 12V)

1. Press on the indicated zone “push” (1)
2. Open the light cover to an angle of 90°, DO NOT force past 90°.
3. Insert a new 12V halogen bulb as indicated (2) and (3), 50W maximum.
4. Close the light cover by pressing the part where it says “push” (1), until it clicks shut.
5. Never handle the glass of the lamp with bare hands. Use a cloth or wear gloves when handling the bulb to avoid the contact with the skin.



Halogen Bulb



LED Bulb

6. INSTALLATION

Mounting Laws and Regulations

The **minimum** distance between the bench top and the lowest part of the rangehood should not be less than:

For indoor kitchen area:

650mm (Electric Cooktop)

750mm (Gas Cooktop)

750mm (Induction Cooktop, suggested height)

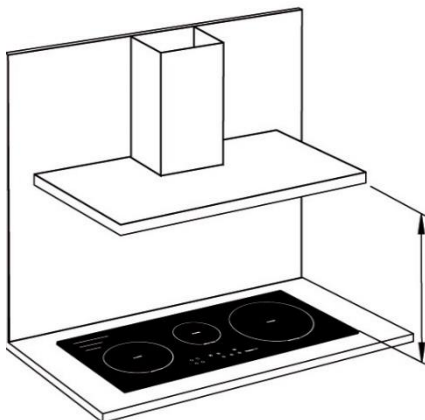
Installations 800mm above the cooktop is not recommended.

The location of the installation must have permanent openings for ventilation.

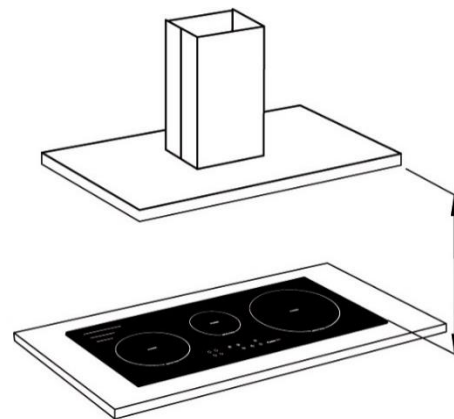
Regulations concerning the expulsion of air must be met at all times.

It is strongly recommended that the rangehood be installed centrally over the cooktop.

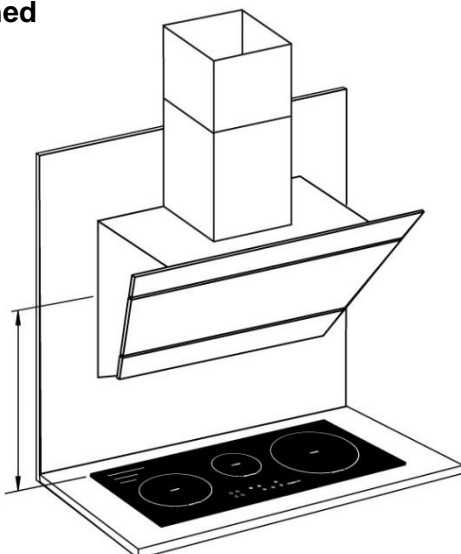
Wall Mounted



Island



Inclined



WARNING

If the user installs the rangehood at a distance less than the minimum height above the cooktop, Schweigen Home Appliances decline any responsibility for damages suffered to the rangehood by excess heat or damage to objects, people and others caused either directly or indirectly by damage, malfunction or fire.

6. INSTALLATION



DANGER

Always switch off and disconnect power before installing the rangehood. Failure to do so may cause serious injury.

Wall Mount Installation Overview

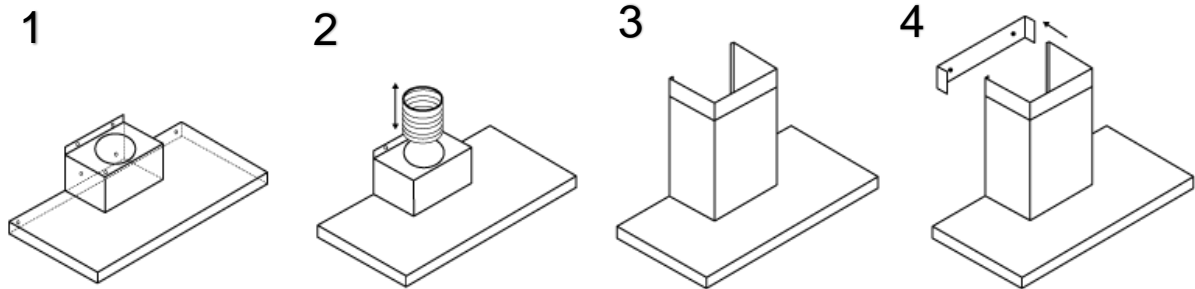
Step 1: Secure rangehood to the wall using only primary mounting points. Check the level of the rangehood and adjust accordingly if necessary. Once level, continue to secure the rangehood via the secondary mounting points.

Step 2: Feed through aluminium flexi duct from the outlet block to the kitchen ceiling.

Step 3: Place flue covers on.

Step 4: Attach wall mounting bracket to the wall. Slide inside extension flue piece up to the wall mount bracket and attach.

NOTE: Please make sure that all plastic protection on the rangehood and filters are removed before use.



6. INSTALLATION

Attaching the Computer Board (Certain models only)

1. Attach the computer board to the outlet box using the screws provided.
2. Position the computer board facing out from the outlet (see figure A), align the holes when attaching the computer board (figure B).

NOTE: Some of the models only have two screw holes.

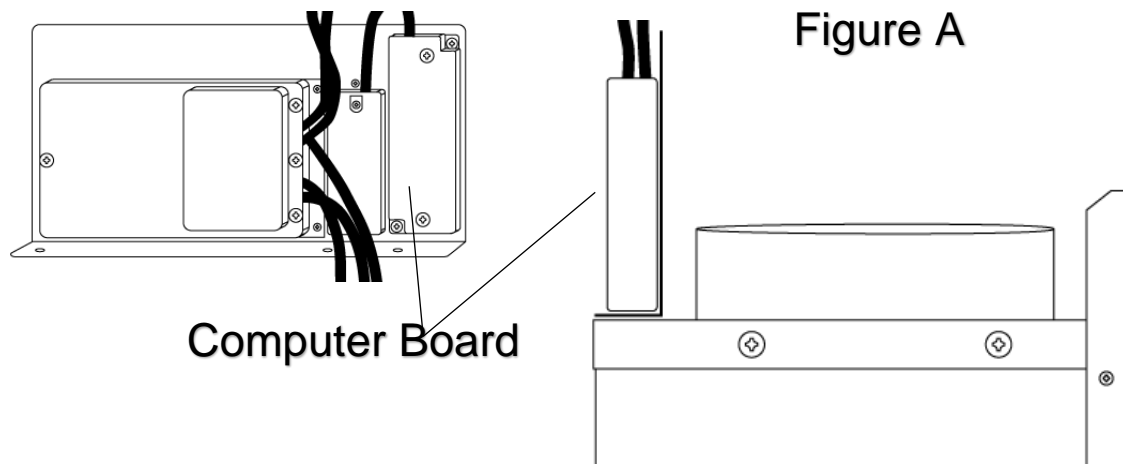
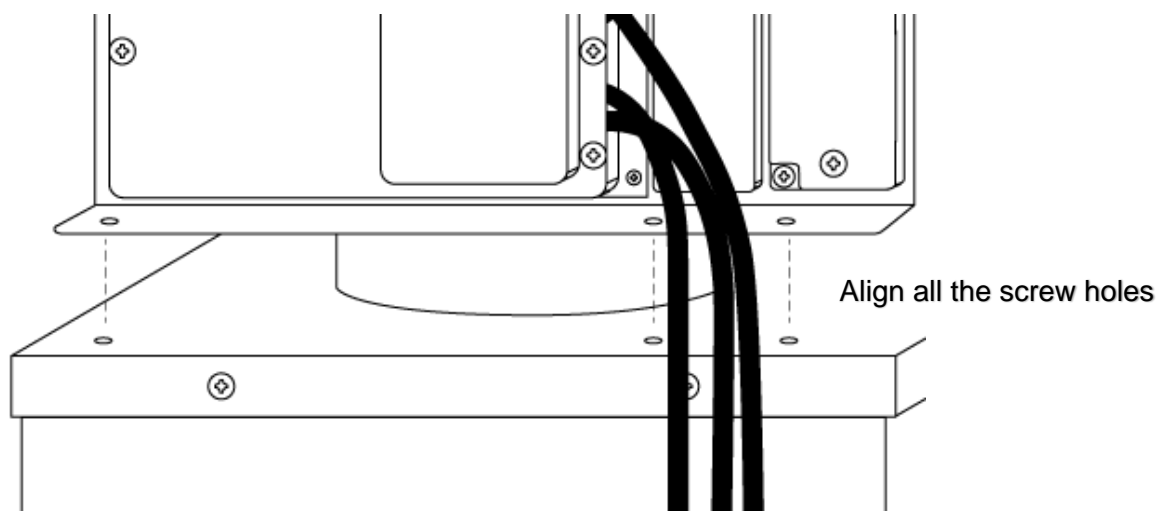


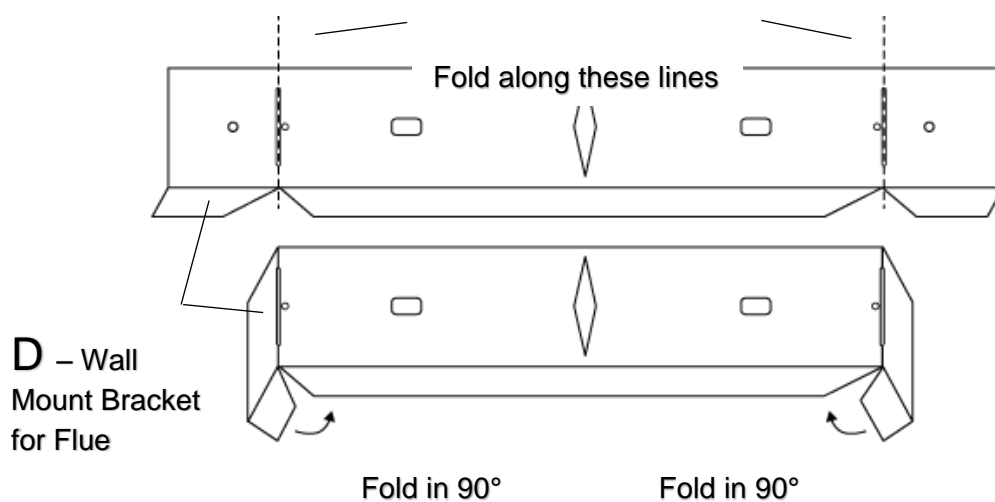
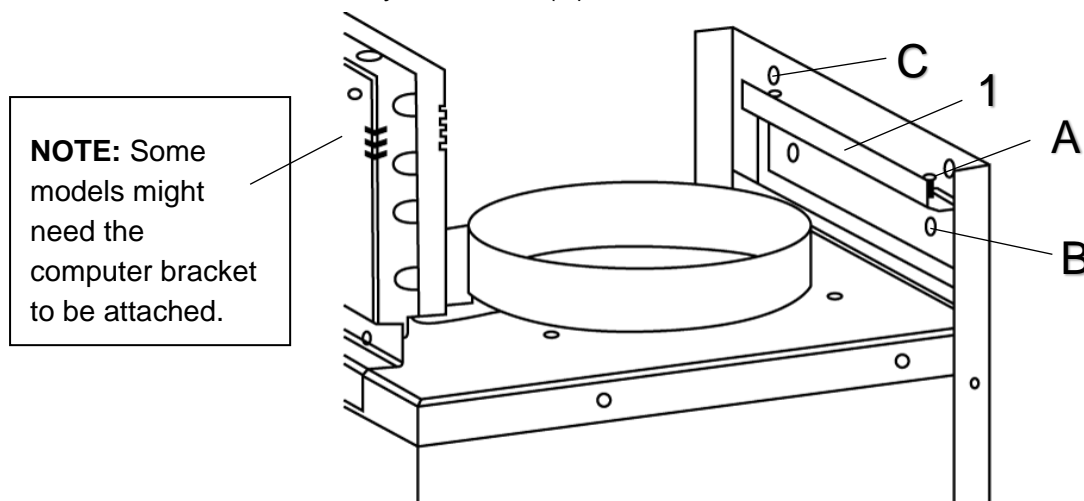
Figure B



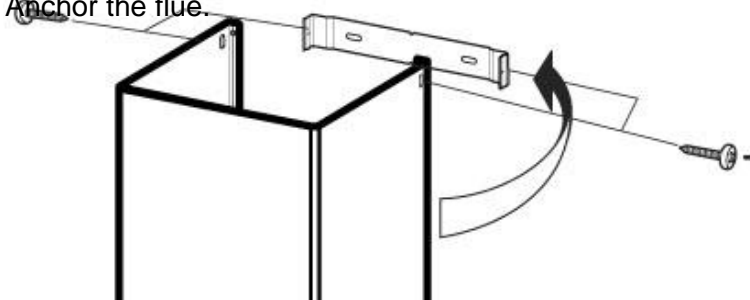
6. INSTALLATION

Installing a Wall-mounted Rangehood

1. Measure the position where the bracket is to be inserted (1) following the height recommendations indicated previously in the tips and suggestions section.
2. Draw the line and mark the position of the holes that must be made.
3. Once secured using the screws (B) hang the rangehood and using a leveller, level it with the screws (A).
4. Once level, secure it firmly to the wall (C).



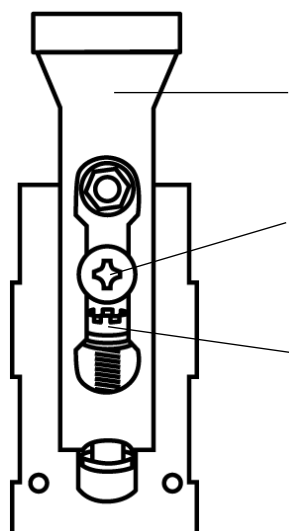
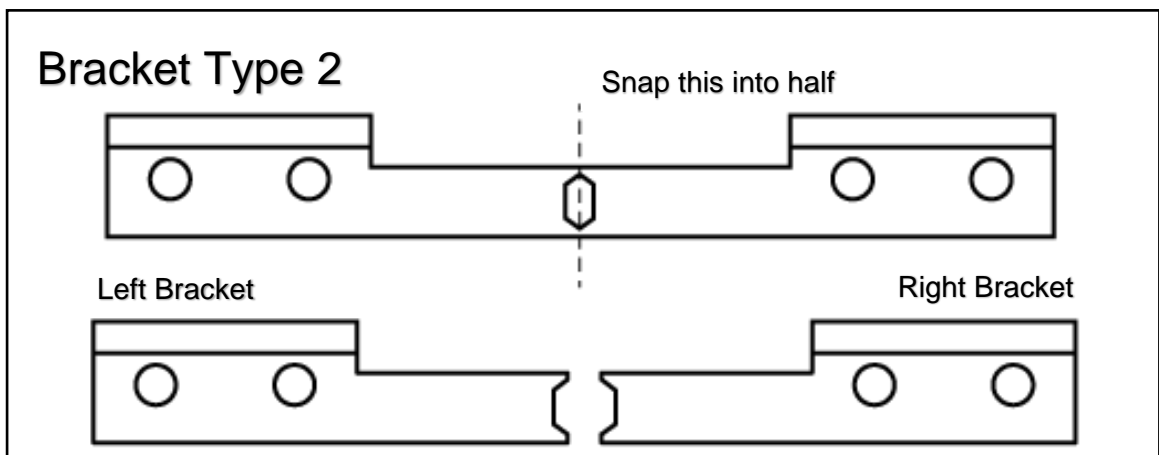
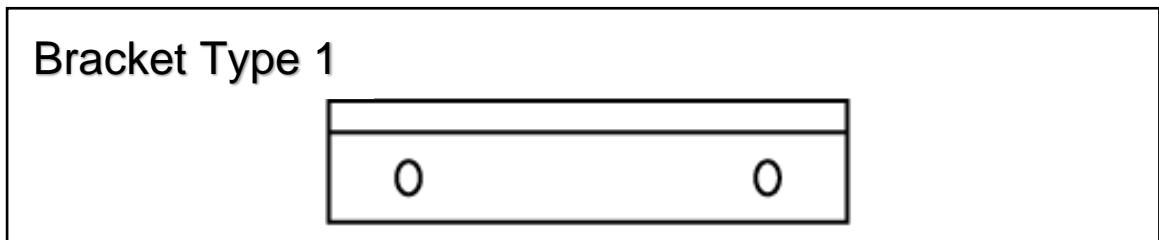
5. Fold both ends to 90° as shown (D).
6. Anchor the bracket of the top flue to the wall using the plugs and screws supplied.
7. Anchor the flue.



6. INSTALLATION

Installing a Wall-mounted Rangehood (With hanging devices)

1. Measure the position where the brackets are to be attached first and follow the height recommendations indicated previously in the tips and suggestions section.
2. Draw a level line on the wall at the correct height and mark the position of the holes that must be made for the brackets.
3. Once secured, hook the rangehood body to the brackets using the hanging devices (A).
4. Adjust screws (B) and (C) to level the rangehood body.



A – Hanging Device

B – Regulating the depth, up to 25mm

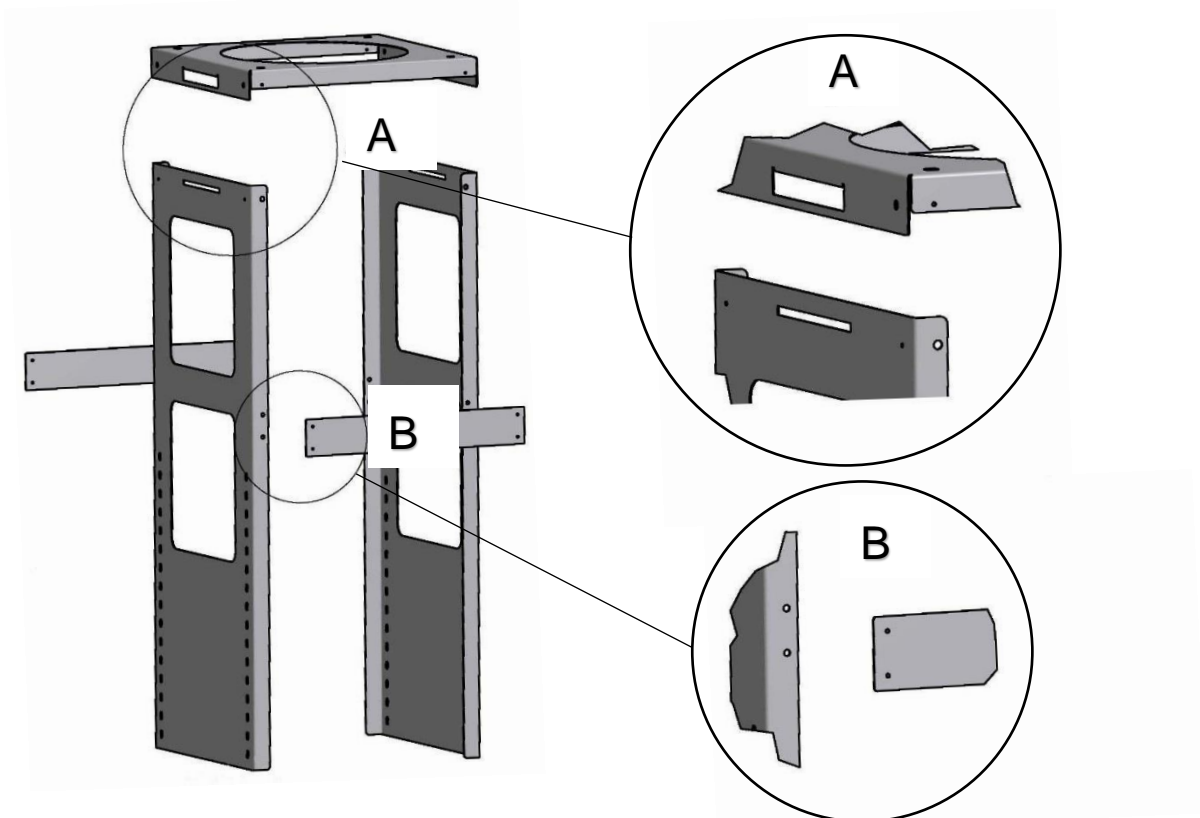
C – Regulating the height, up to 18mm with a Phillips head screwdriver.

6. INSTALLATION

Structural Preparation for the Island Rangehoods

If installing an island rangehood where the structure is not already assembled, please follow the directions below:

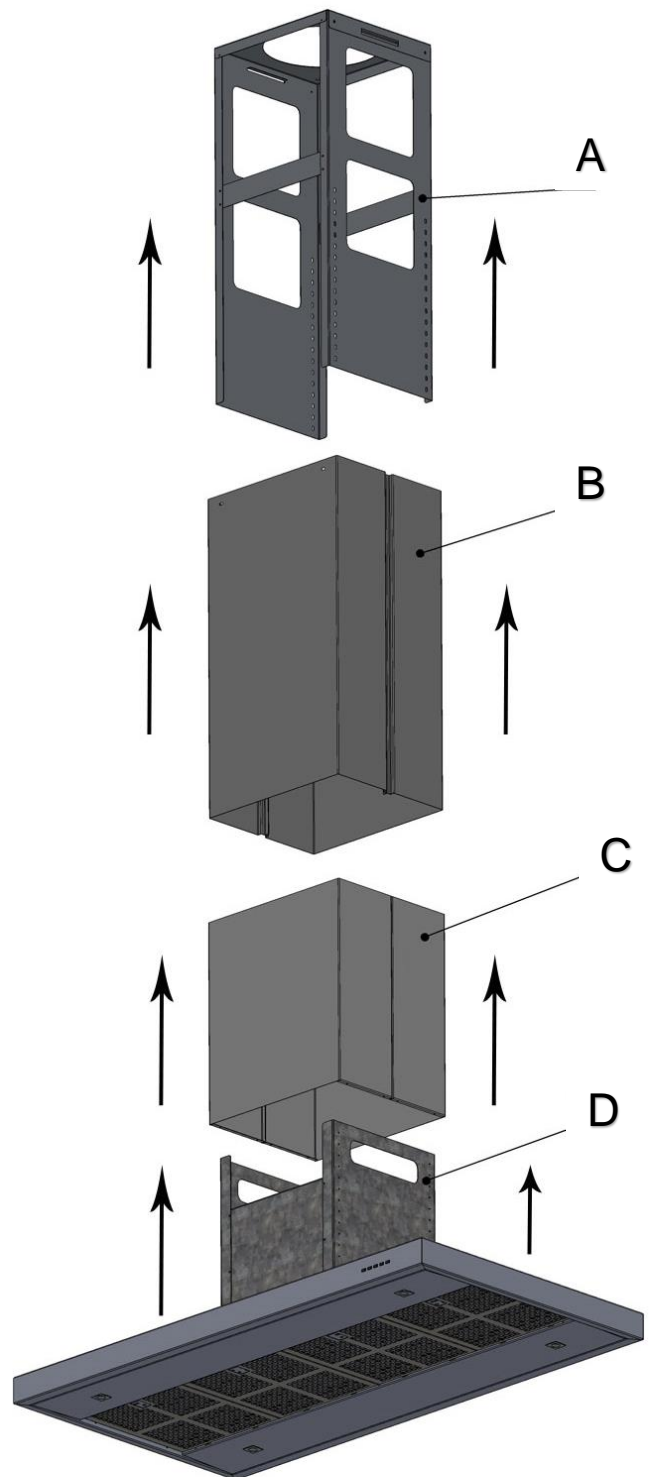
1. Fasten the brackets to ceiling with the provided screws (as in diagram A).
NOTE: Brackets should be secured to the timber frame in the ceiling.
2. Fix the brackets with the provided screws as in diagram (B).
3. Position the rangehood into place.



6. INSTALLATION

Island Rangehood Installation

1. Calculate and measure the total height between the rangehood and the cook-top. Fix the structure (A) on the ceiling with screws.
NOTE: Structure should be secured to the timber frame in the ceiling.
2. Fix the upper duct (B) to the structure (A) with the screws supplied.
3. Slide the chimney onto the assembled structure (C), ensuring that it is fixed correctly.
4. The ductwork must make a direct connection with the structure and be fixed immediately using the spring clips provided.
5. Once attached, all protective film can be removed from the rangehood.
6. Cut the duct cover to the size needed and fix it with the magnets provided.
7. Connect the female plug to the motor and male plug to main power.



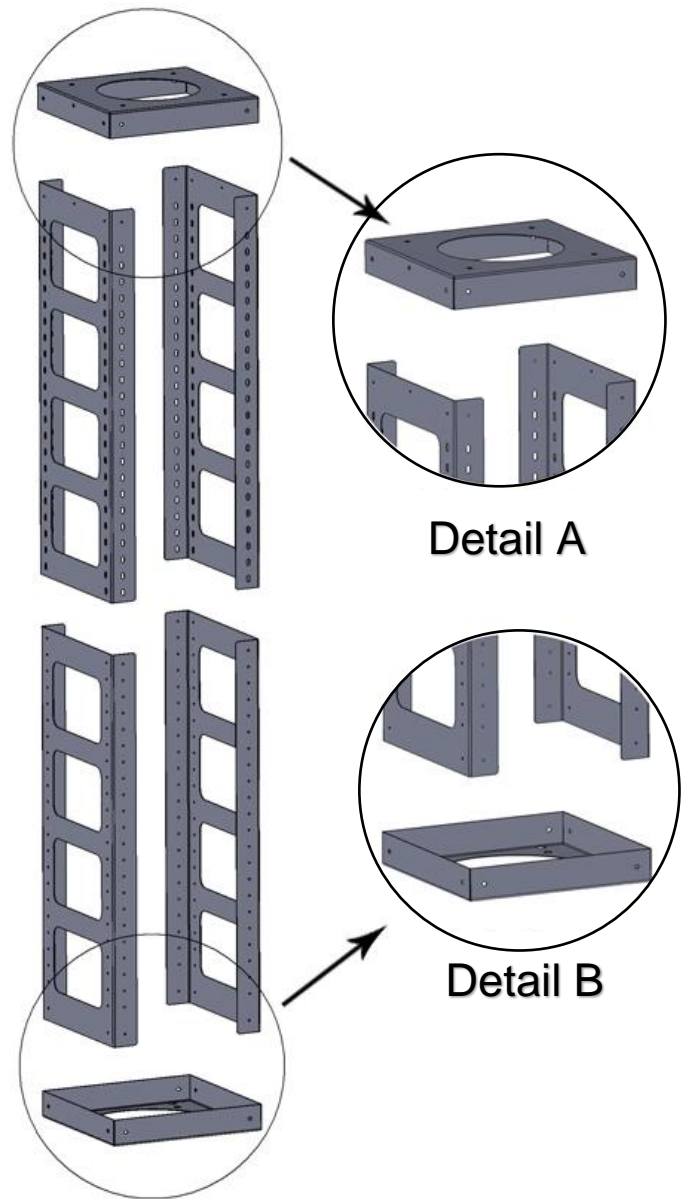
6. INSTALLATION

Installing the Telescopic Structure

1. Join the side pieces to the roof of the structure with the screws provided, as shown in the figure (Detail A).
2. Secure the top structure firmly to the ceiling.

NOTE: Top structure should be secured to the timber frame in the ceiling.

3. Join the side pieces to the base of the structure with the screws provided, as shown in the figure (Detail B).
4. Calculate the necessary regulation height and secure both structures with the screws provided for that purpose.
5. Once the structure is attached to the ceiling, insert the top pipe into the lower pipe.
6. With the top pipe inside the lower one, place the rangehood on the adjustable structure.
7. Secure the rangehood to the structure using the screws provided. To gain access to the position where the screws are to be secured, dismantle the filters.



6. INSTALLATION

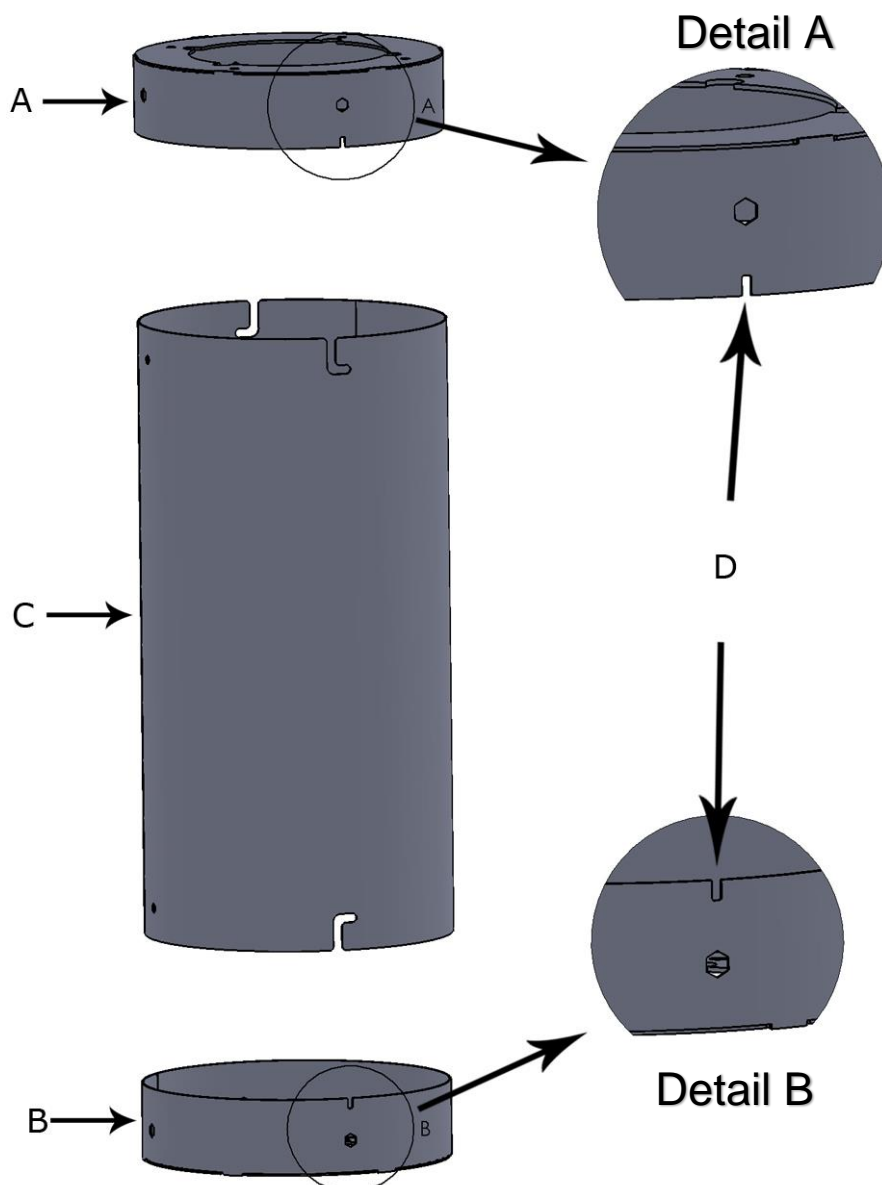
Installing the Circular Island Structure

1. Secure part (A) firmly to the ceiling, considering that the notch (D) (see Detail A) indicates where the rangehood controls will be facing once the installation has been completed.

NOTE: The top structure must be secured to the timber frames in the ceiling.

2. Secure part (C) to (A) using the screws provided.
3. Secure part (B) to the roof of the rangehood.
4. Secure part (B) to (C).

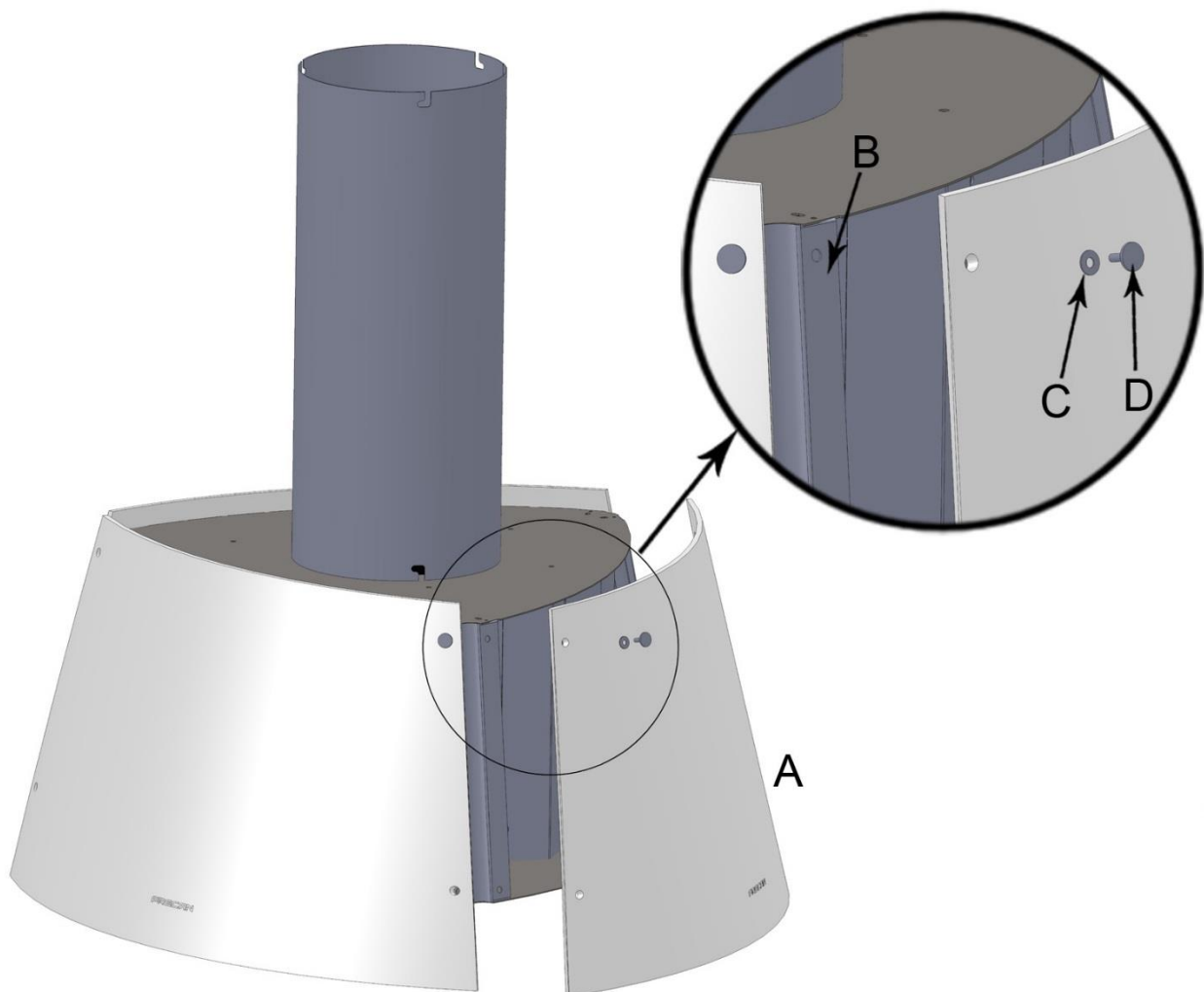
NOTE: To ensure that the rangehood is facing the right direction, once secured, the notches of details A-B must be aligned.



6. INSTALLATION

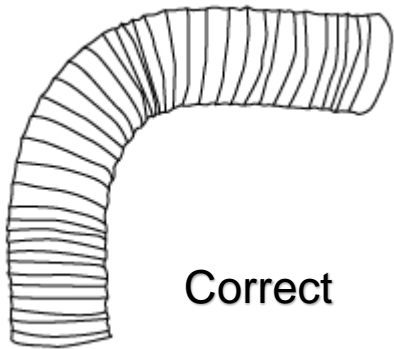
Installing the Glass Panel (Wall-mounted and Island Models)

1. Put the glass pane (A) in position with the glass anchoring bracket (B).
2. Secure the glass panes with the screws provided (D). **N.B:** Place the **nylon washer** (C) provided in between the glass pane and the screw. Ensure that the glass panes are anchored securely.
3. For the wall-mounted rangehoods, the glass panes must be removed to access the hanging devices.

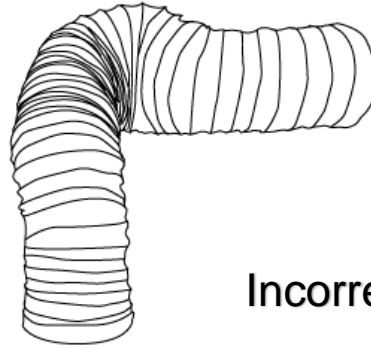


6. INSTALLATION

Flexible Ducting for Isodrive Motor System



Correct



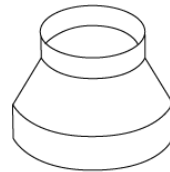
Incorrect

For the Isodrive motors, please do not crush or kink any of the flexi ducting, this will reduce the air flow and may cause noise throughout the system.

Please refer to the Isodrive motor installation guide for more details on flexi ducting with the silent system. This can be found in the Isodrive motor box.

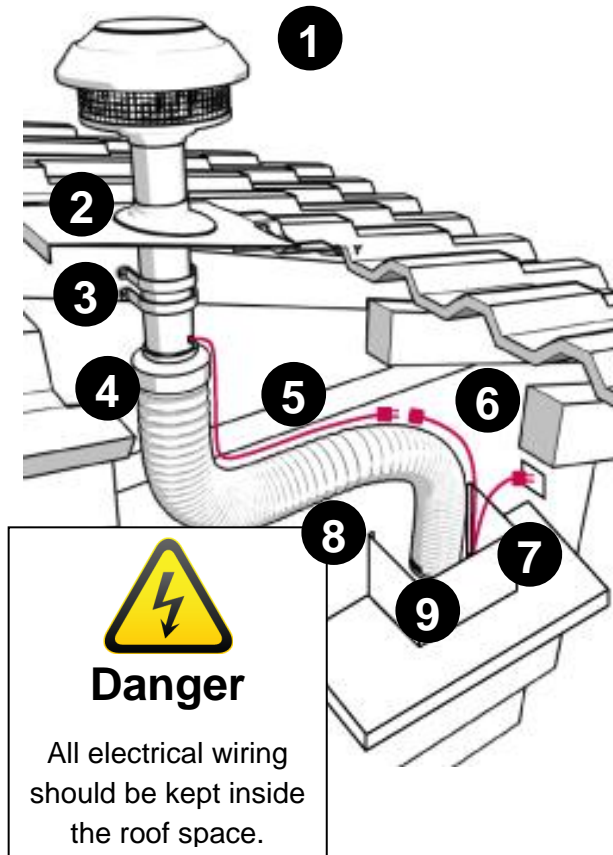
Reducer for Isodrive 650 motor only

A reducer 200mm to 150mm is required for Isodrive 650 motor, this attach to the 200mm opening on top of the rangehood.



6. INSTALLATION

Isodrive Motor System Overview



1. Isodrive Motor
2. Roof Seal Kit (Dektite)*
3. Support Straps*
4. Attach Flexi Duct to Bell-Mouth Adaptor using duct tape and cable tie. Please **DO NOT** rip the ducting.
5. Motor Power Lead (Male Plug)
6. Rangehood to Motor Lead (Female Plug)
7. Main Power Lead (Male Plug)
8. Flexi Ducting must be pulled taut. **DO NOT** crush or kink the ducting
9. Connect flexi ducting to the outlet on rangehood using duct tape or cable tie. Please **DO NOT** rip the ducting.

***NOTE:** The Isodrive motor system does not include the roof seal kit, cable tie, duct tape or the support straps. The weather shield is only available for the Isodrive 1600 motor and needs to be attached directly to the motor (1).

This picture is for illustrative purposes only and is not to scale.

7. MAINTENANCE

Troubleshooting

If the product does not work:

Before you contact the technical service department, make sure that the product is plugged in, the electric fuse (on selected models) is in correctly and electric wiring is connected.

(Fuses can be purchased from your local electrical dealer or hardware store). Do not take any action that will damage the product.

	Check electric connection. Voltage of the electric network should be between 220 - 240V, rangehood should be connected to grounded plug and turned on.	Check motor switch. Please ensure that there is power to the rangehood and the rangehood is switched on.	Check lamp switch. Lamp switch should be at on position.	Check metal filter. Metal filter should be washed regularly, see filter cleaning.	Check lamps. Lamps should be firm.	Check outlet. Outlet should be open.	Check lamps and fuse. Make sure they are not broken or faulty.	Please make sure there is no obstruction in ducting or back draft fins.	Check the outlet, make sure it is not blocked and you have the correct diameter ducting installed.	Check Isodrive installation manual, make sure the flexi ducting is installed correctly, eg. Length of ducting used, keep the ducting taut.
Rangehood does not work	X	X								
Light does not work	X		X		X		X			
Rangehood air extraction is weak				X		X		X	X	
Rangehood does not direct air out (through chimney)				X				X		
Loud noise from the rangehood								X	X	

7. MAINTENANCE

Calling the Technical Assistance Service Hotline

In the event that the failure is not due to the faults mentioned in Trouble Shooting, contact the **Technical Service 1300 829 066**.

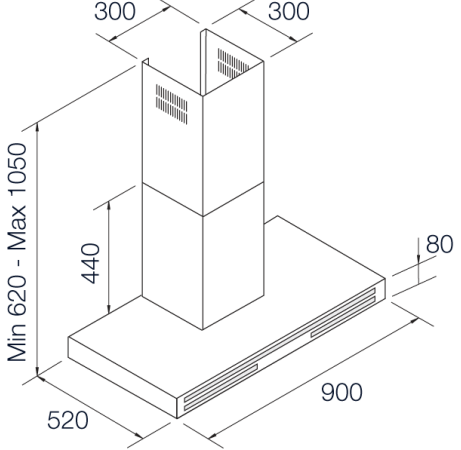
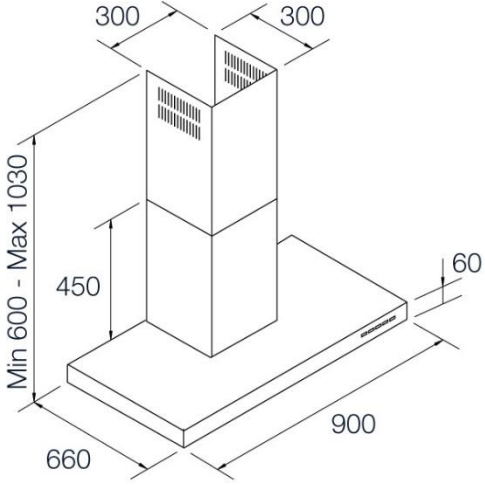
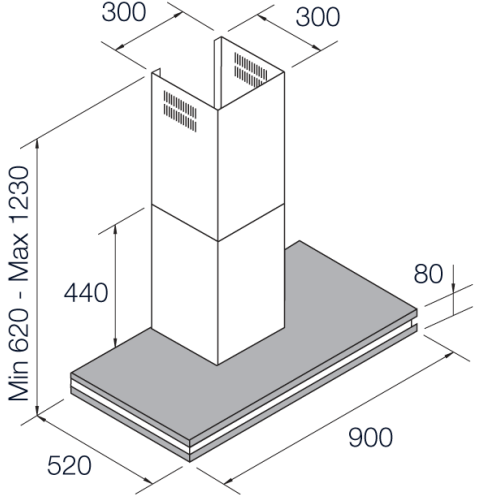
A service request will require the following information:

- The purchase date
- The rangehood model and motor type (eg. Isodrive 650)
- The rangehood serial number or batch number (this number is on a sticker inside the rangehood)

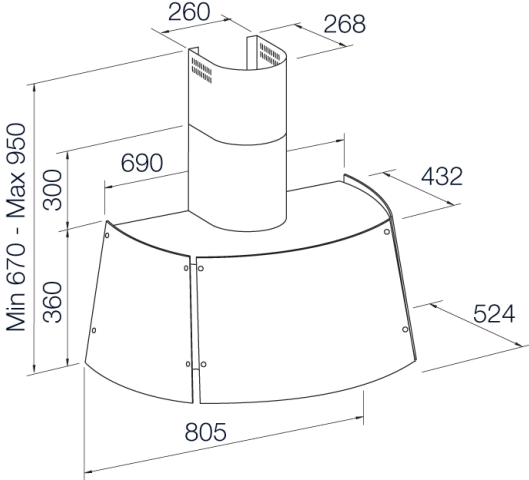
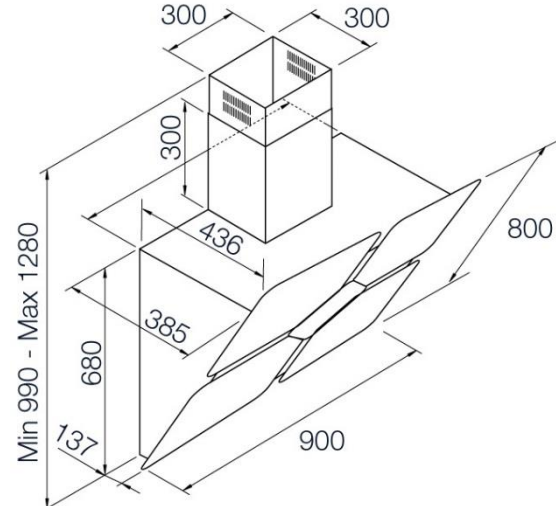
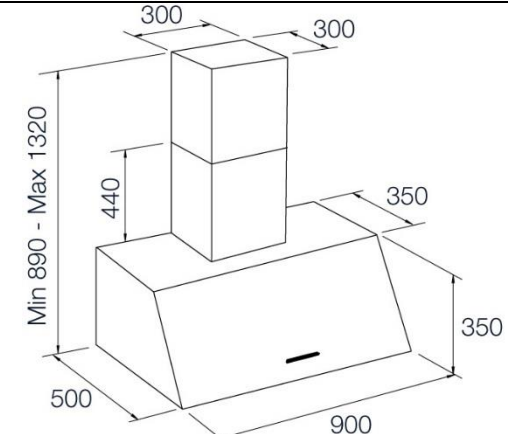
Faulty Installation

It is not the responsibility of Schweigen Home Appliances to rectify any incorrect installations. A service call out fee will be charged for any Schweigen technician that attends a call, whereby it's established that the fault is due to an incorrect installation or non-manufacturing fault. Should the appliance be installed in such a way that the service agent is unable to gain access to the appliance, the person/s who own the premises or the appliance where the appliance resides — will be responsible to provide access to the appliance at their expense.

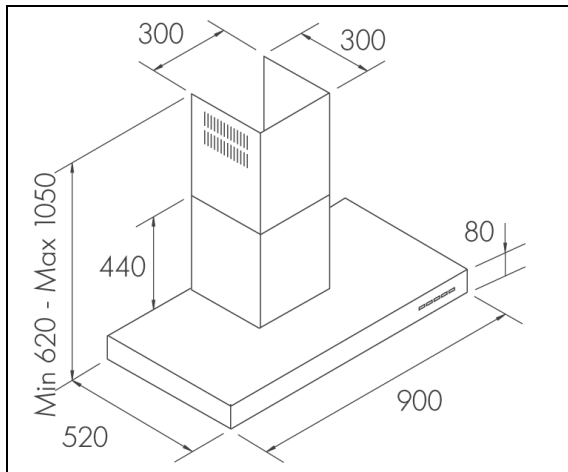
8. TECHNICAL SPECIFICATIONS

	<p>Model: KLS-ALBW9S, KLS-ALBB9S</p> <p>Feeding Voltage: 220-240V 50Hz</p> <p>Lamp Power: 2 x 20W (Halogen); 1 x 21W (Fluorescent)</p>
	<p>Model: WM-LIN9S</p> <p>Feeding Voltage: 220-240V 50Hz</p> <p>Lamp Power: 2 x 20W (Halogen)</p>
	<p>Model: KLS-ANDRO9S</p> <p>Feeding Voltage: 220-240V 50Hz</p> <p>Lamp Power: 2 x 20W (Halogen); 1 x 9.6W (LED Stripe)</p>

8. TECHNICAL SPECIFICATIONS

	<p>Model: KLS-REG9S</p> <p>Feeding Voltage: 220-240V 50Hz</p> <p>Lamp Power: 6 x 1.2W (LED)</p>
	<p>Model: KLS-FOR9S</p> <p>Feeding Voltage: 220-240V 50Hz</p> <p>Lamp Power: 3 x 20W (Halogen)</p>
	<p>Model: KLS-PRF9S</p> <p>Feeding Voltage: 220-240V 50Hz</p> <p>Lamp Power: 2 x 20W (Halogen)</p>


8. TECHNICAL SPECIFICATIONS



Model: WM-EX90S
Feeding Voltage: 220-240V 50Hz
Lamp Power: 2 x 20W (Halogen)

9. DISCLAIMER

1. Under our policy of continuous product development, product specifications may change without notice. Prospective purchasers should therefore check with the retailer to ensure this publication correctly describes the products being offered for sale. All information supplied is to be used for general reference purposes only and is on the understanding that Schweigen Home Appliances will not be liable for any loss, liability or damage of whatever kind arising as a result of any reliance upon such information. All pictures used in the guide are for illustrative purposes only.

	<p>The symbol on the product or its packaging indicates that it cannot be treated as normal household waste. Take this product to your nearest electrical and electronic equipment waste point for recycling. By correctly disposing of this product, you will be helping to prevent potentially negative consequences for the environment and public health, which could arise if this product is not handled in the appropriate way. For more details about the recycling of this product please contact the authorities of your city or town, your local household waste service or the store where you purchased the product.</p>
---	---

schweigen

HOME APPLIANCES

Distributed by:



Unit 102/45 Gilby Road,
Mt Waverley 3149 Victoria.

1300 881 693 (EST)
www.schweigen.com.au